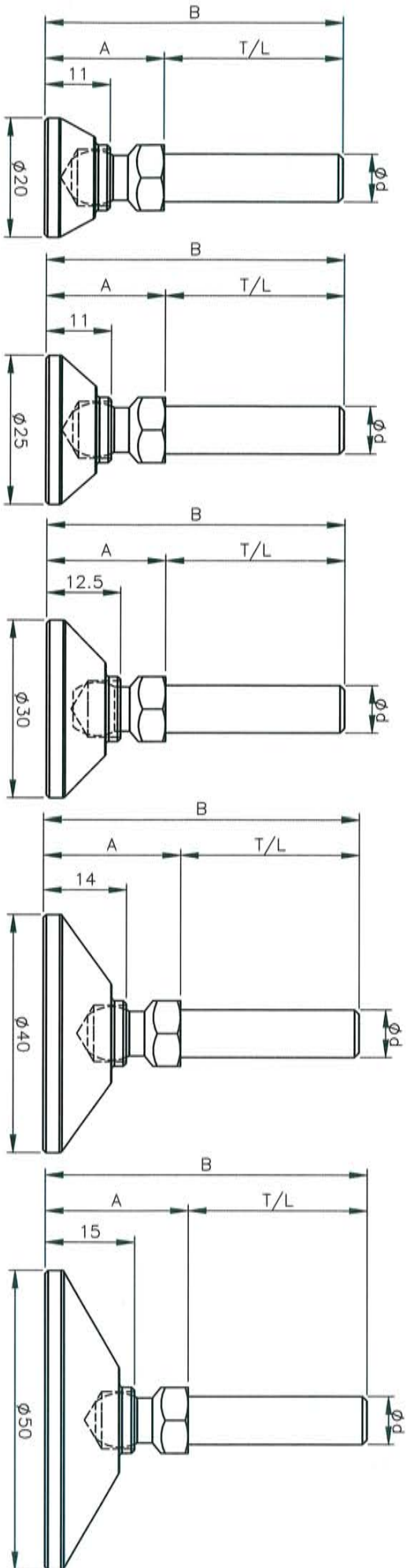
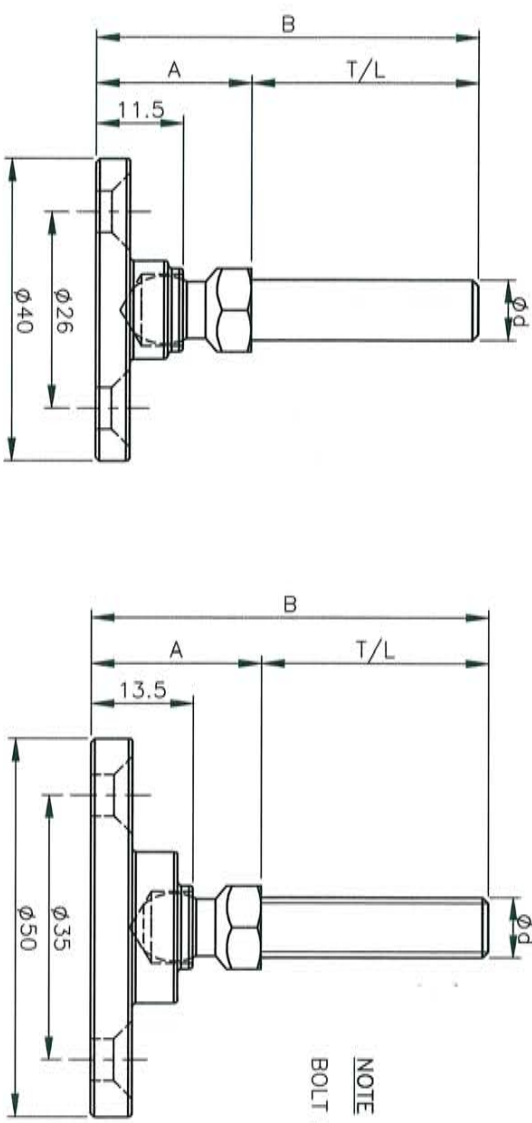


THIS DRAWING IS TO BE READ IN CONJUNCTION WITH THE TABLE BELOW



$\phi d$	T/L
M6	20 or 30mm
M8	20, 30 or 40mm
M10	20, 30, 40 or 50mm



NOTE  
BOLT HOLE DIMENSIONS TO SUIT  $\phi 5mm$  BOLT.



THIS DRAWING IS THE PROPERTY OF ARNOTT HANDLING EQUIPMENT LTD. IT MUST NOT BE REPRODUCED OR USED FOR MANUFACTURE OR DISCLOSED WITHOUT THE WRITTEN CONSENT OF:

ARNOTT HANDLING EQUIPMENT LTD  
 FERROFIELDS  
 BRIXWORTH  
 NORTHAMPTON  
 NN6 9UA  
 TEL: 01604 - 882232  
 FAX: 01604 - 882270  
 E-MAIL: [accessories@arnott-group.co.uk](mailto:accessories@arnott-group.co.uk)  
 WEB SITE: [www.arnott-group.co.uk](http://www.arnott-group.co.uk)

TITLE: SMALL SERIES S/S ADJUSTABLE FEET  
 REV: A

**BASE TYPE, DIAMETER AND HEIGHT**

20mm Ø Conical x  
11mm high

25mm Ø Conical x  
11mm high

30mm Ø Conical x  
12.5mm high

40mm Ø Conical x  
14mm high

50mm Ø Conical x  
15mm high

40mm Ø Bolt down  
x 11.5mm high

50mm Ø Bolt down  
x 13.5 mm high

<b>M6 x 20</b>	<b>A</b>	20.0	20.0	21.5	23.0	24.0	20.5	22.5
	<b>B</b>	40.0	40.0	41.5	43.0	44.0	40.5	42.5
<b>M6 x 30</b>	<b>A</b>	20.0	20.0	21.5	23.0	24.0	20.5	22.5
	<b>B</b>	50.0	50.0	51.5	53.0	54.0	50.5	52.5

<b>M8 x 20</b>	<b>A</b>	20.0	20.0	21.5	23.0	24.0	20.5	22.5
	<b>B</b>	40.0	40.0	41.5	43.0	44.0	40.5	42.5
<b>M8 x 30</b>	<b>A</b>	20.0	20.0	21.5	23.0	24.0	20.5	22.5
	<b>B</b>	50.0	50.0	51.5	53.0	54.0	50.5	52.5
<b>M8 x 40</b>	<b>A</b>	20.0	20.0	21.5	23.0	24.0	20.5	22.5
	<b>B</b>	60.0	60.0	61.5	63.0	64.0	60.5	62.5

<b>M10 x 20</b>	<b>A</b>	20.0	20.0	21.5	23.0	24.0	20.5	22.5
	<b>B</b>	40.0	40.0	41.5	43.0	44.0	40.5	42.5
<b>M10 x 30</b>	<b>A</b>	20.0	20.0	21.5	23.0	24.0	20.5	22.5
	<b>B</b>	50.0	50.0	51.5	53.0	54.0	50.5	52.5
<b>M10 x 40</b>	<b>A</b>	20.0	20.0	21.5	23.0	24.0	20.5	22.5
	<b>B</b>	60.0	60.0	61.5	63.0	64.0	60.5	62.5
<b>M10 x 50</b>	<b>A</b>	20.0	20.0	21.5	23.0	24.0	20.5	22.5
	<b>B</b>	70.0	70.0	71.5	73.0	74.0	70.5	72.5

**STUD DIAMETER AND LENGTH**

A= Height to top of hexagon.  
B=Overall height