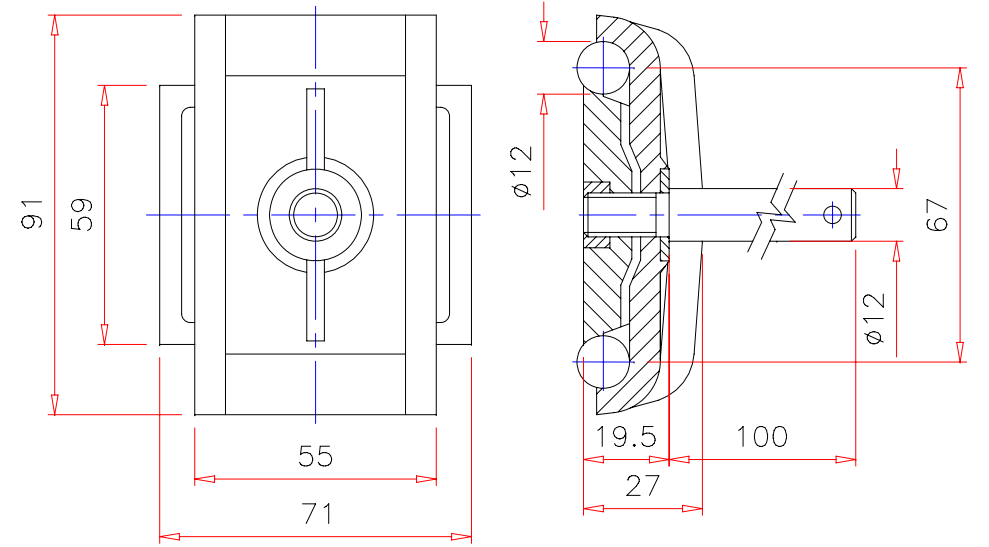


SINGLE GUIDE RAIL CLAMP



DOUBLE GUIDE RAIL CLAMP

THIS DRAWING IS THE PROPERTY OF  
ARNOTT HANDLING EQUIPMENT AND  
MUST NOT BE REPRODUCED IN ANY  
WAY WITHOUT WRITTEN CONSENT

TITLE  
SIDE GUIDE RAIL BRACKETS

